

**Features**

- 3.6W Series Wall Mount
- High Power in Compact Size
- Energy Star 2.0

**Applications**

- Mobile Devices
- Pos machine
- Audio & Video product
- ADSL
- Set-top-box
- Household appliance

**Protection**

- Short Circuit Protection
- Over Current Protection
- Over Voltage Protection

**Safety**

- EMI:FCC Part 15,Class B
- Safety Standards: UL60950-1/CSA22.2,EN60950-1, BS EN60950-1,AS/NZS60065-1



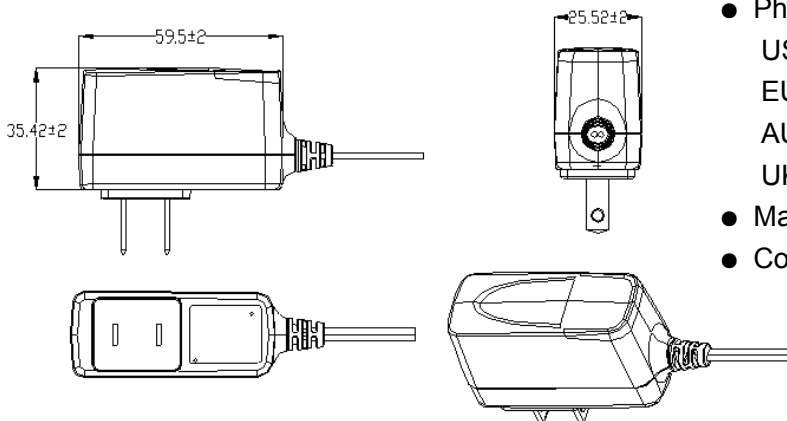
**Specifications**

ITEM	SPECIFICATION	MIN	TYP.	MAX	Unit
Input Rated Voltage	Single Phase	100	115/230	240	V
Input Voltage Range	Single Phase	90		264	V
Input Rated Frequency	Single Phase		50/60		Hz
Input Frequency Range	Single Phase	47		63	Hz
Input Rated Current	Typical Input Voltage& Output At Full Load			0.15	A
Input In-rush Current	Typical Input Voltage& Output At Full Load			60	A
Static Power Consumption	Typical Input Voltage& Output At No Load			0.3	W
Average Efficiency	at 115Vac/60Hz and 230Vac/50Hz with 100%, 75%, 50% and 25% rated load	67.97			%
Output Rated Voltage	Typical Output Voltage Range ±5%	4.75	5.0	5.25	V
Output Rated Current		0.1		0.5	A
Output Rated Power				2.5	W
Ripple and Noise	Typical Input Voltage& Typical Load Current			150	mV
Protection	Short Circuit, Over Current, Over Voltage Protection				
Hi-Pot Test	3000V rms / 50Hz, 60 sec, 10mA Max				
Insulation Resistance	Input to Output,DC500V,10MΩ MIN				
Temperature	Operating: -0°C to + 40°C,Storage: -40°C to + 80°C				
Humidity	Operating: Up to + 90%,Storage: Up to + 90%				
DC Plug/Cable Length	5.5×2.5×10mm Fork&Groove/1500mm UL2468 24AWG WIRE/EIAJ				

For further information contact:  
[www.vistektechnology.com](http://www.vistektechnology.com)

## 3.6W Series Wall Mount

### Enclosure drawing



- Physical size:

US:59.2mm (L)×25.52mm (W)×35.42mm(H)

EU:59.2mm (L)×25.52mm (W)×35.42mm(H)

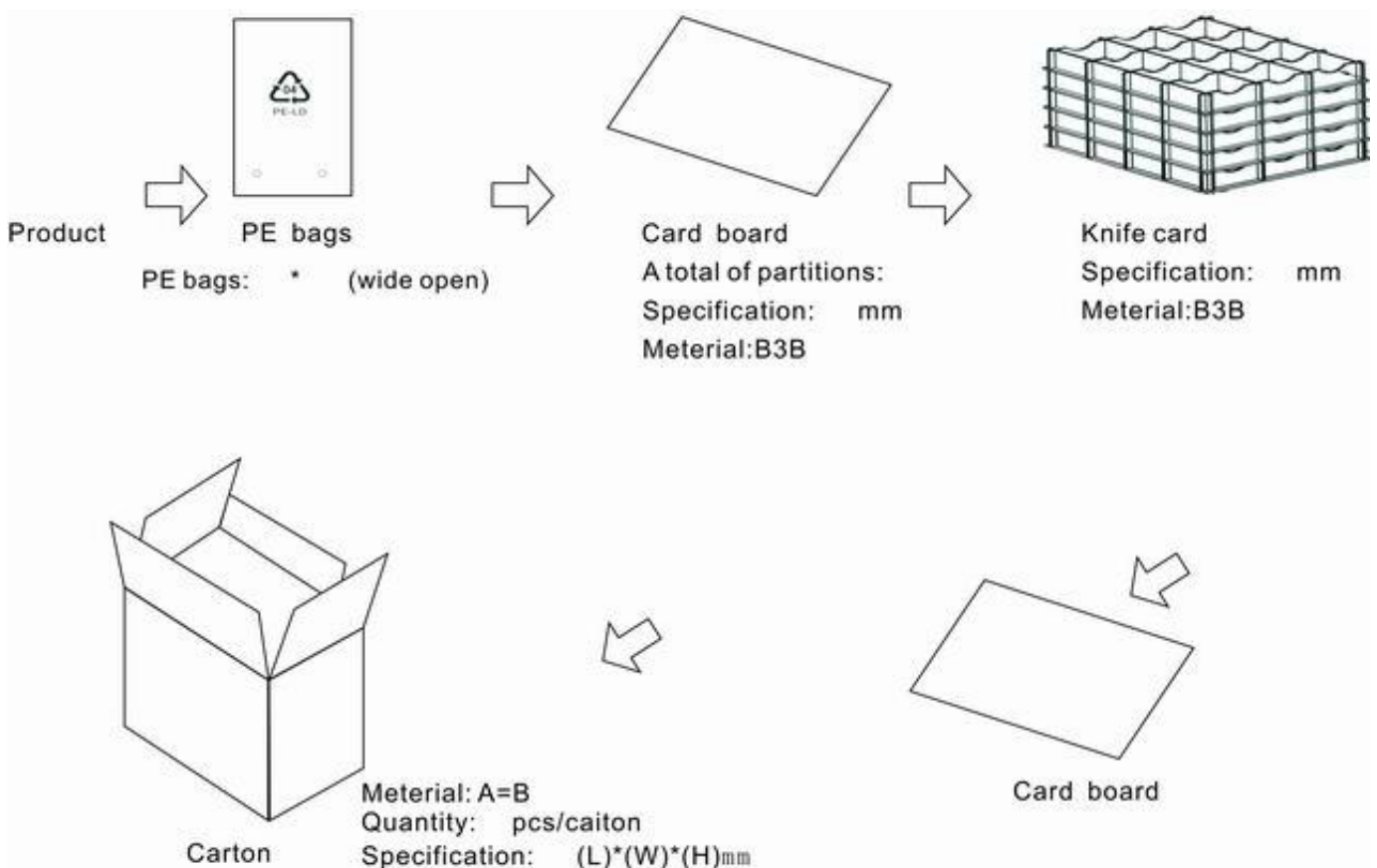
AU:63.5mm (L)×25.45mm (W)×44.56mm (H)

UK:63.5mm (L)×23.47mm (W)×42.43mm (H)

- Material: PC, 94V-0

- Color: Black/White

### Packing Information



For further information contact:  
[www.vistektechnology.com](http://www.vistektechnology.com)

Shenzhen Vistek Technology Co.Ltd

605 Yongzheng Building NO.#278 Defeng Road , Fuyong, Shenzhen, China 518103  
Tel: (86) -755-61183820-808 Fax: (86) -755-61183820-805